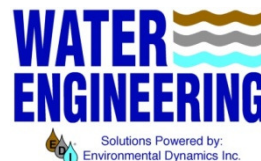
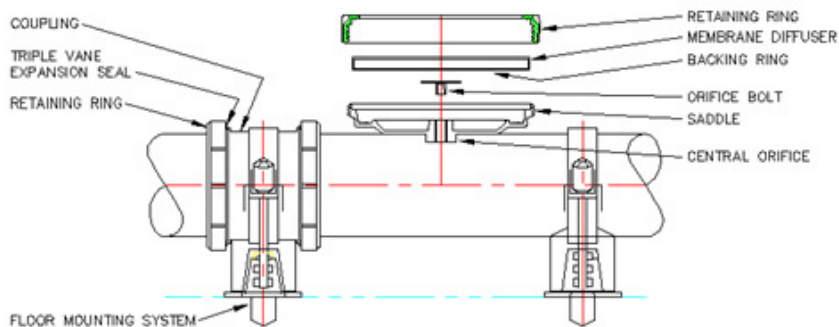


PRODUCT SPECIFICATION SHEET

Membrane Disc Diffuser

7" Interchangeable with 7" Ceramic

- Light Weight/Quick Fit
- Highest Efficiency
- Good Backflow Resistance
- Interchangeable with Ceramic
- Lift-out Systems
- Slit Size Variable



Size..... 188mm Diameter
Membrane Material.....EPDM
Support Ring..... uPVC
Base..... uPVC



www.wastewater.com

Environmental Dynamics Inc.

Value Solutions
Since 1975