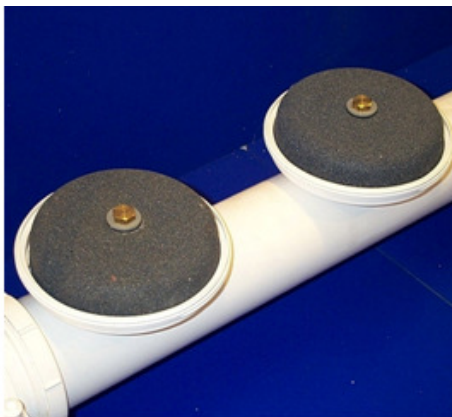
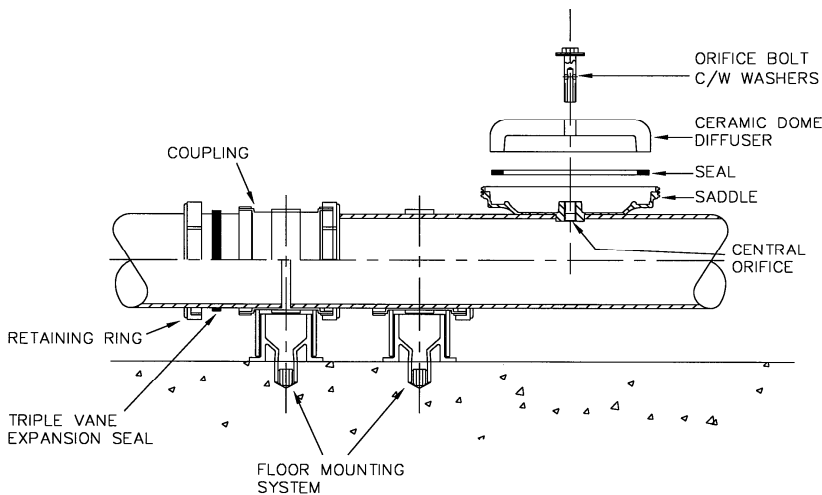


PRODUCT SPECIFICATION SHEET

Ceramic Dome Diffuser

- Classical Design
- High Chemical Resistance
- High Efficiency
- Long Life Expectancy



Size..... 178mm Diameter
Material..... Alundum
Seal..... Rubber
Saddle uPVC
Bolt Brass



www.wastewater.com

Environmental Dynamics Inc.

*Value Solutions
Since 1975*